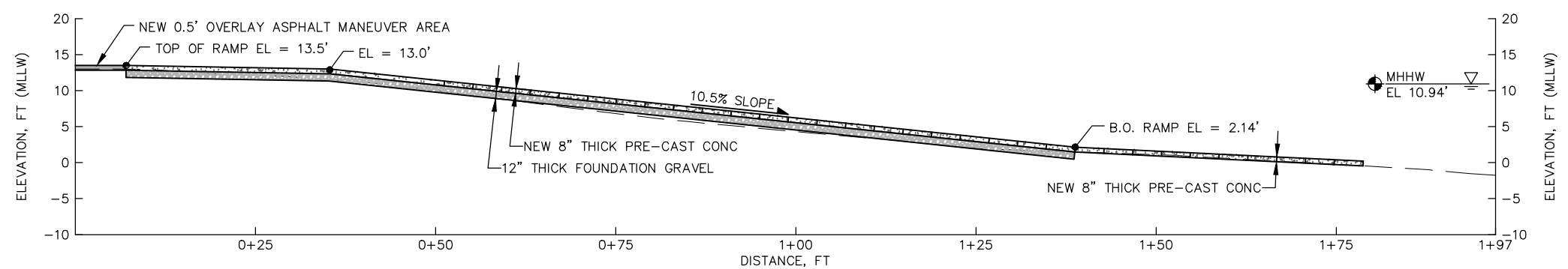
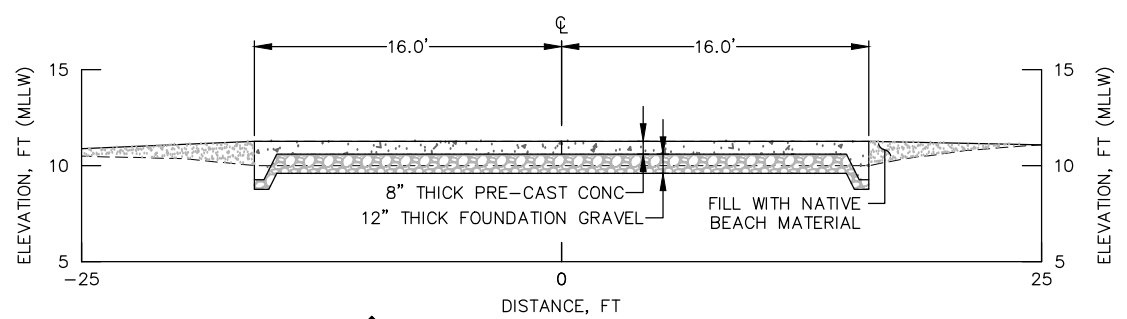


SITE PLAN
BOAT RAMP
SCALE IN FEET

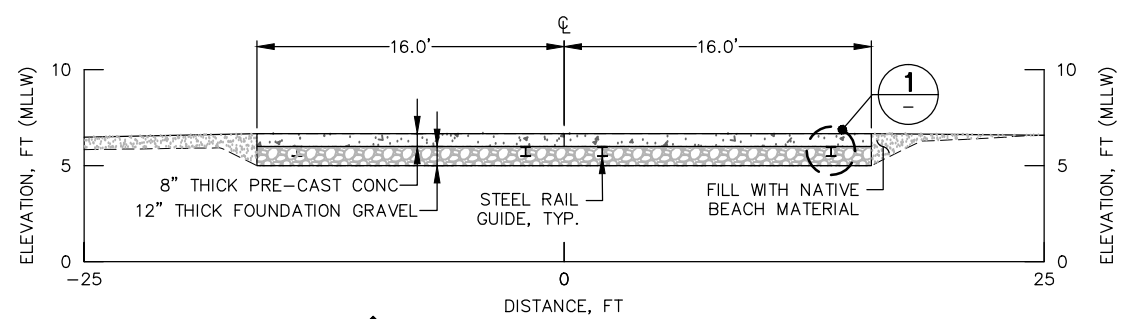


A PROFILE
RAMP
SCALE IN FEET

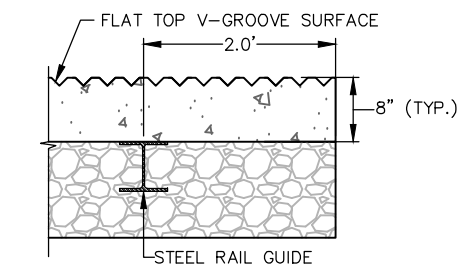
LEGEND
— EXISTING GRADE



D SECTION
CIP RAMP
SCALE IN FEET



E SECTION
PRECAST RAMP
SCALE IN FEET



1 DETAIL
PRECAST RAMP
SCALE IN FEET

FILE: W:\0989 - Port of So Whidbey Island\7 - Design\CAD\20140507_CONCEPTUAL_ALT_3

DESIGNED BY	JD			
ENTERED BY	BT			
CHECKED BY	WT			
PROJECT ENGINEER	JD			
PROJECT MANAGER	VS	05/07/14		
	DATE	REVISION	BY	

SCALE	HORIZ.: AS NOTED
VERT.: AS NOTED	
VERIFY SCALE	
BAR IS ONE INCH ON 22x36	
DRAWINGS AND HALF INCH ON	
11x17 DRAWINGS, IF NOT, ADJUST	
SCALES ACCORDINGLY	
0	1"

COAST & HARBOR ENGINEERING
3410 FAR WEST BLVD, STE 210 AUSTIN, TX 78731
PH 512-342-9516 • FAX 512-342-9708
REGISTERED LICENSE NO. F-6231

PORT OF SOUTH WHIDBEY ISLAND

POSSESSION BEACH BOAT RAMP IMPROVEMENTS CONCEPTUAL RAMP ALT 3
PLAN & PROFILES

REFERENCE SHEET NUMBER
SHEET 4 OF 4 SHEETS